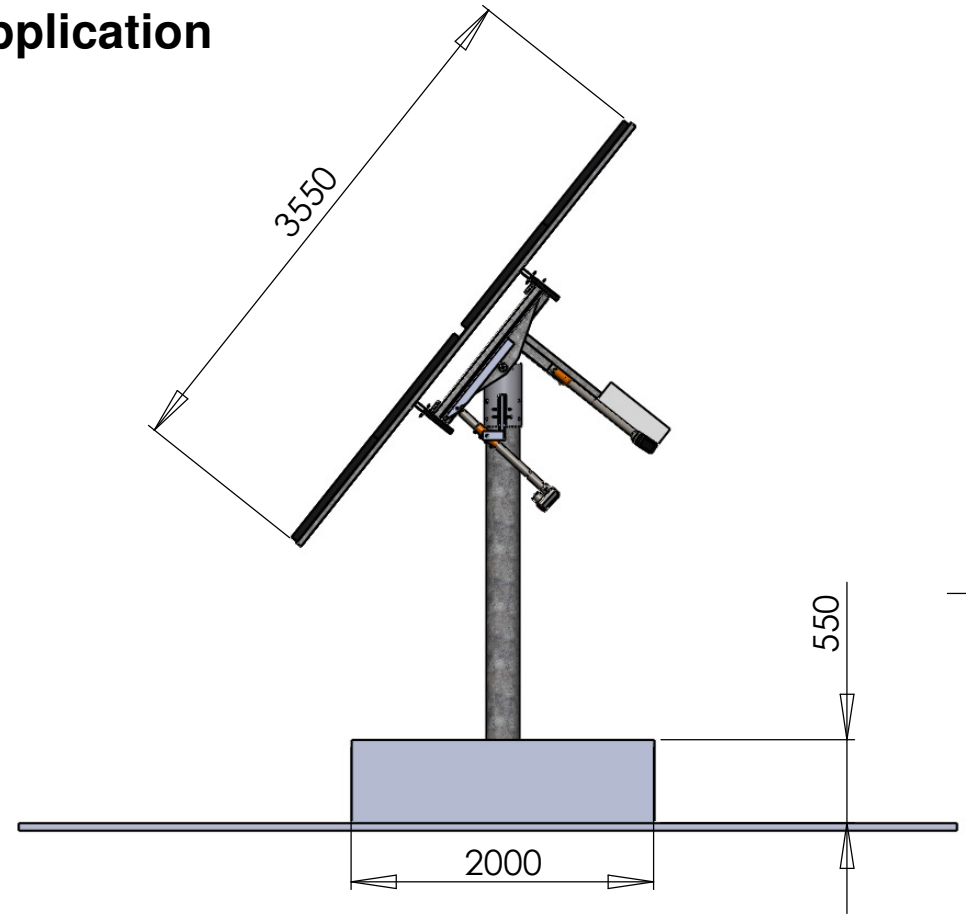
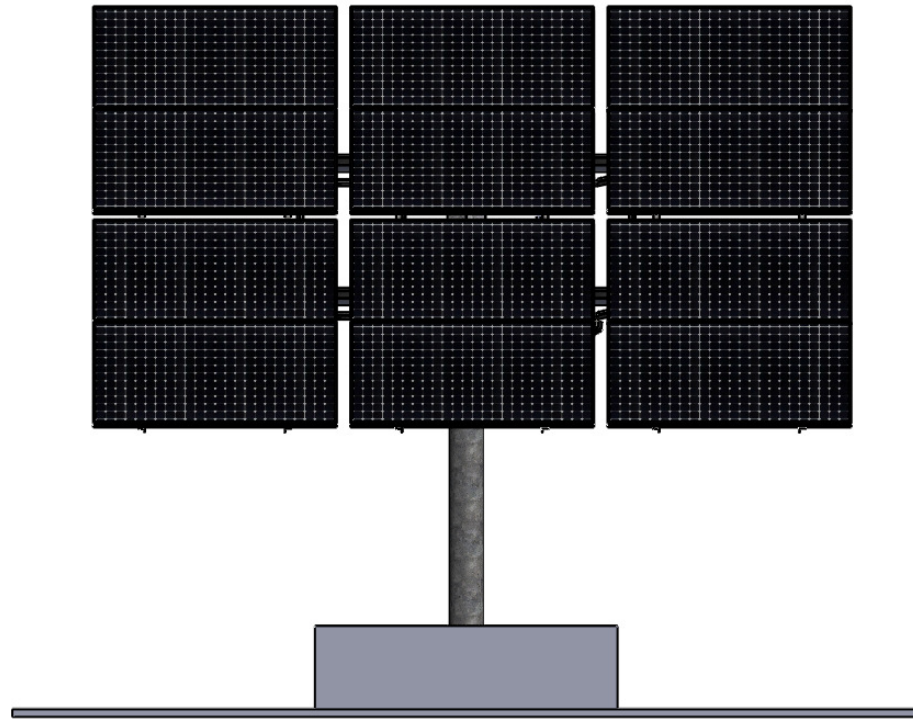


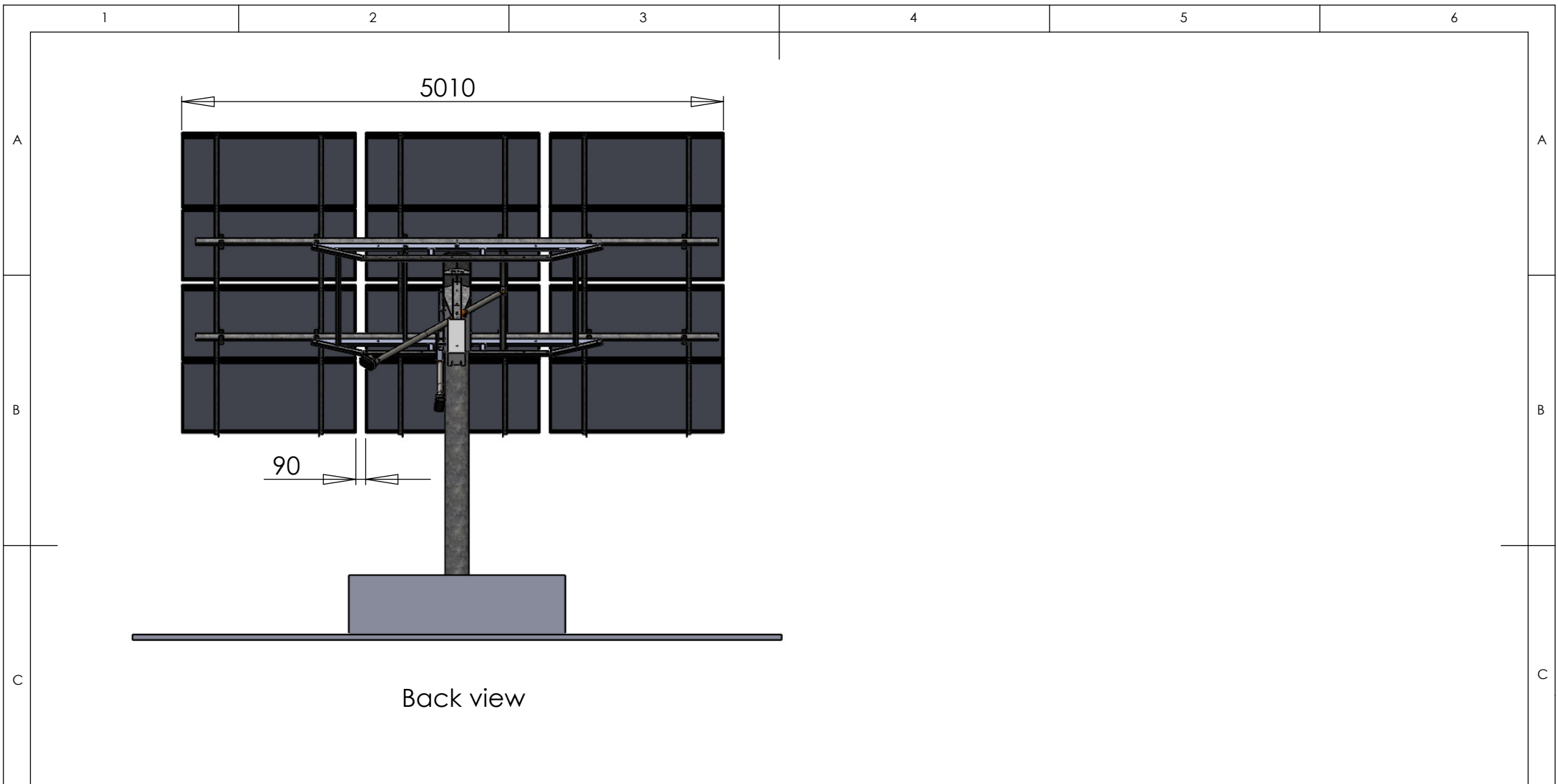
# WS T 1600 - the world wide connected solar tracker

Delivering superior performance on every application



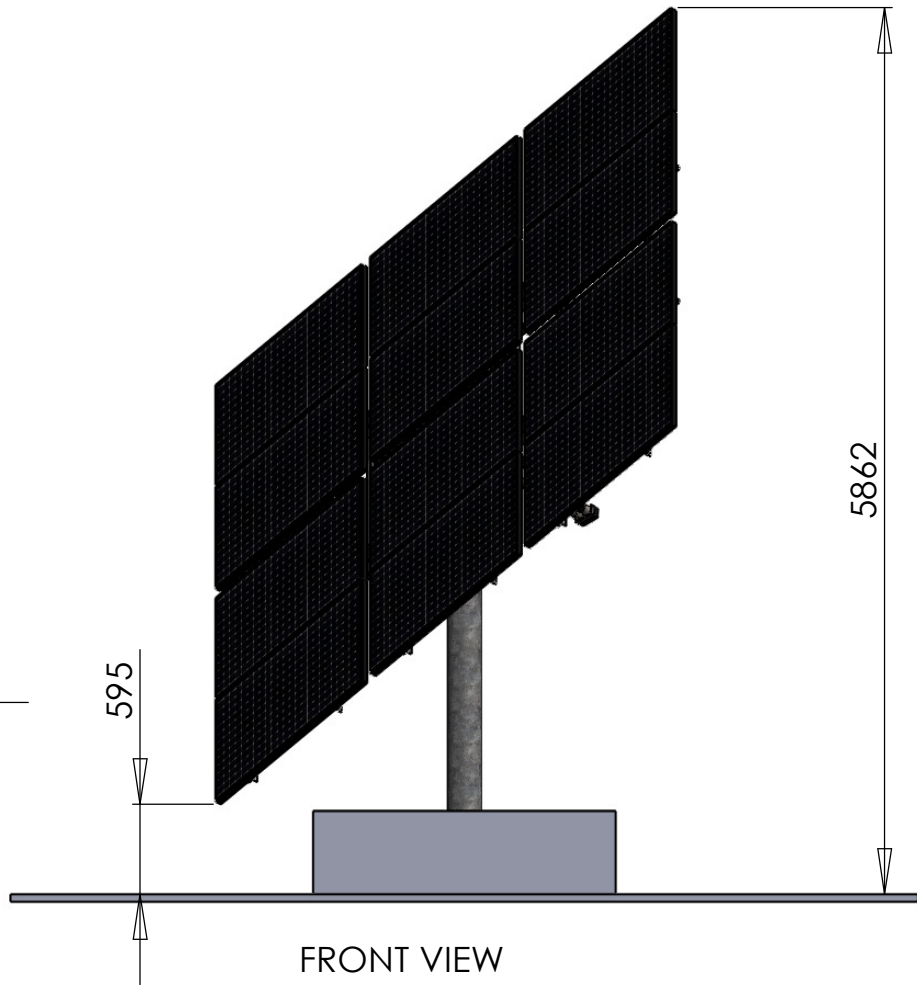
UNLESS OTHERWISE SPECIFIED: DIMENSIONS ARE IN MILLIMETERS SURFACE FINISH: TOLERANCES: LINEAR: ANGULAR:		FINISH:  Hot dip galvanized		DEBUR AND BREAK SHARP EDGES	
	NAME	SIGNATURE	DATE		
DRAWN	GS				
CHK'D					
APPV'D					
MFG					
Q.A				MATERIAL:	
				WEIGHT:	

DO NOT SCALE DRAWING		REVISION	01-06-2009
<b>WS Energia Lda</b>			
Tagusparque, ED. Tech. II, Pav. 46B, Oeiras, Portugal			
TITLE: <b>WS T1600 - Overview</b>			
DWG NO. <b>desenho WST1600</b>		<b>A4</b>	
SCALE:1:50		SHEET 1 OF 3	

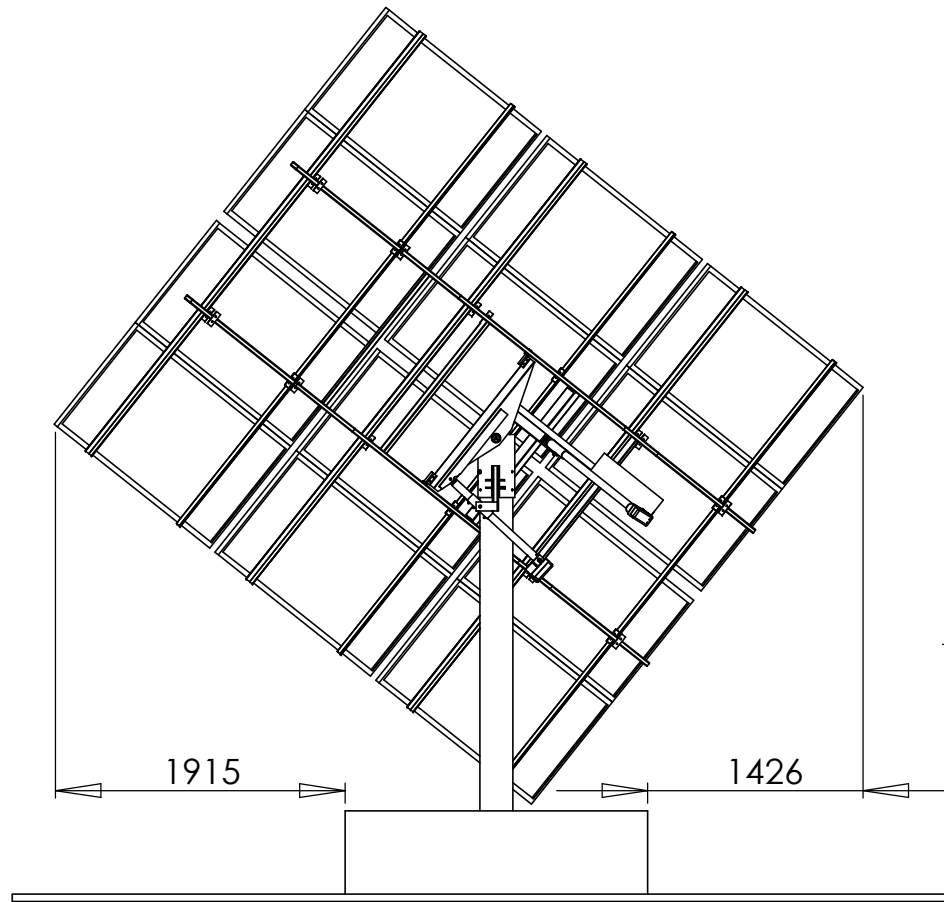


Back view

UNLESS OTHERWISE SPECIFIED: DIMENSIONS ARE IN MILLIMETERS SURFACE FINISH: TOLERANCES: LINEAR: ANGULAR:				FINISH:  Hot dip galvanized		DEBUR AND BREAK SHARP EDGES		DO NOT SCALE DRAWING		REVISION 01-06-2009			
								<b>WS Energia Lda</b>					
								Tagusparque, ED. Tech. II, Pav. 46B, Oeiras, Portugal					
								TITLE: <b>WS T1600 - Back view</b>					
								DWG NO. <b>desenho WST1600</b>					
								A4					
								WEIGHT:		SCALE:1:100		SHEET 2 OF 3	



FRONT VIEW



RIGHT VIEW

EST SIDE MAXIMUM INCLINATION  
IN WINTER TIME

UNLESS OTHERWISE SPECIFIED:  
DIMENSIONS ARE IN MILLIMETERS  
SURFACE FINISH:  
TOLERANCES:  
LINEAR:  
ANGULAR:

FINISH:

DEBUR AND  
BREAK SHARP  
EDGES

DO NOT SCALE DRAWING

REVISION 01-06-2009

WS Energia Lda

Tagusparque, ED. Tech. II,  
Pav. 46B, Oeiras, Portugal

TITLE:

WS T 1600 - RIGHT VIEW

DWG NO.

desenho WST1600

A4

WEIGHT:

SCALE:1:100

SHEET 3 OF 3